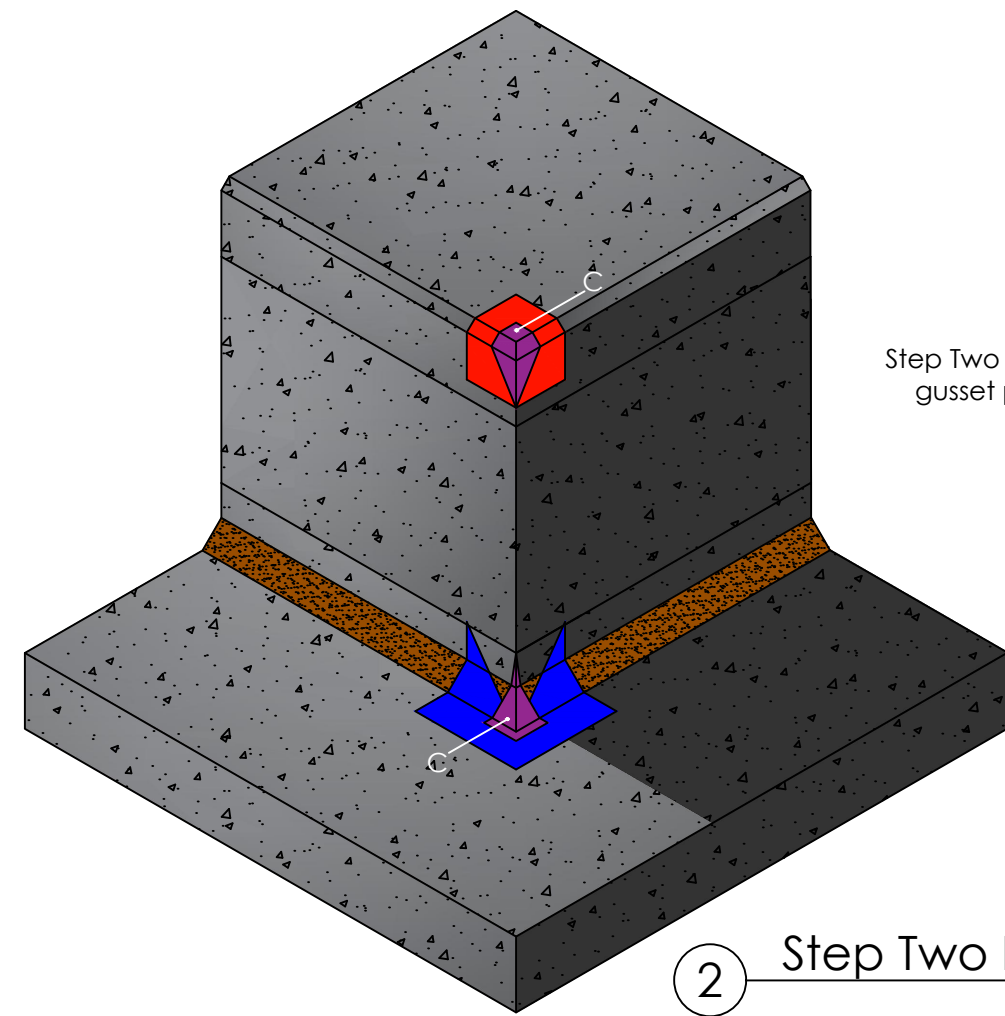


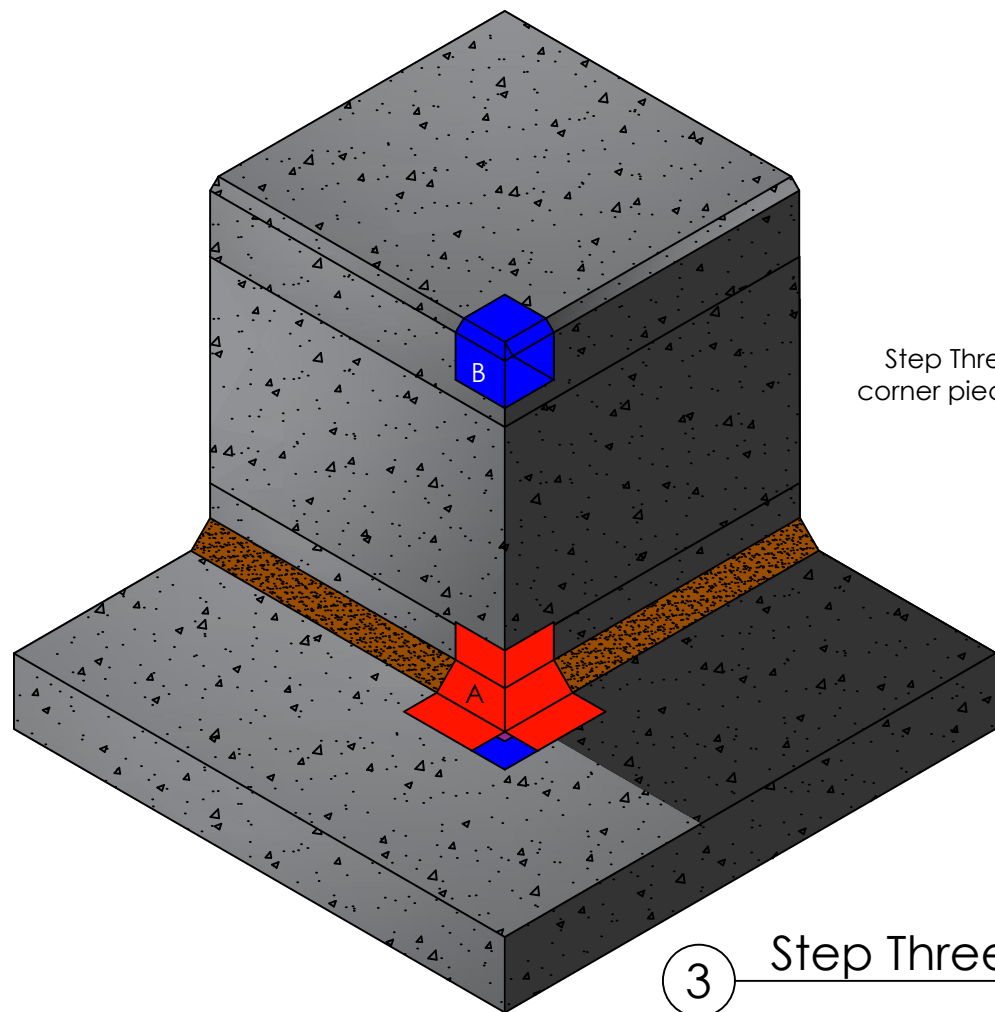
Step One - Cut and fix corner pieces 'A' and 'B'.

① Step One ISO Detail
Scale: nts



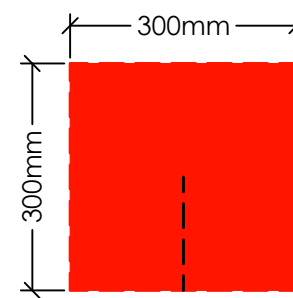
Step Two - Cut and fix gusset pieces 'C'.

② Step Two ISO Detail
Scale: nts

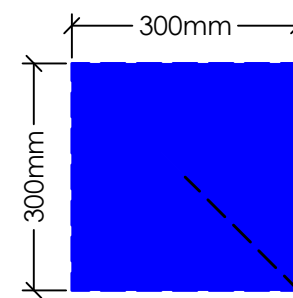


Step Three - Over-fix corner pieces 'B' and 'A'.

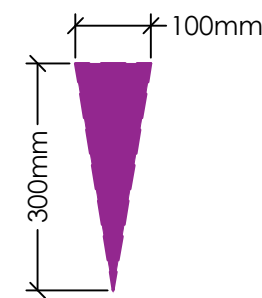
③ Step Three ISO Detail
Scale: nts



A - edge cut.




B - corner cut.



C - gusset.

④ Corner Piece Detail
Scale: 1:10



Part of the DB Group

Revision History				
DATE	DESCRIPTION	REV.	DES.	Q.C.
01/10/19	First issue.	-	HR	LL

DB Group (Holdings) Ltd
Wellington Way, Bourn Airfield
Cambridge, CB23 2TQ
Tel: +44 (0)1954 780687 Email: sales@pudlo.com
www.dbholdings.com/pudlo

DRAWING TITLE ISO EXTERNAL CORNER DETAIL	PROJECT -
STATUS FOR INFO	SCALE as shown on A3
DRAWING NUMBER PUDLO-TJD-GBSF-009	REVISION - SHEET No. 1 of 1
CLIENT	

Note:-

This PUDLO detail is to assist with the installation of its products. The detail shows how PUDLO CWP Modified Concrete and how PUDLO ancillaries are to be installed. For site specific details and confirmation on extent of where PUDLO CWP Modified Concrete is used i.e. Overlay drawings, must be confirmed by structural engineers/contractor. Individual/Company responsibility for design of the structure must ensure that details shown on PUDLO drawings match the latest construction issue drawings.
The information shown on this detail is given without obligation, or warranty PRIOR to consultation or communication with PUDLO/DB Group Ltd.