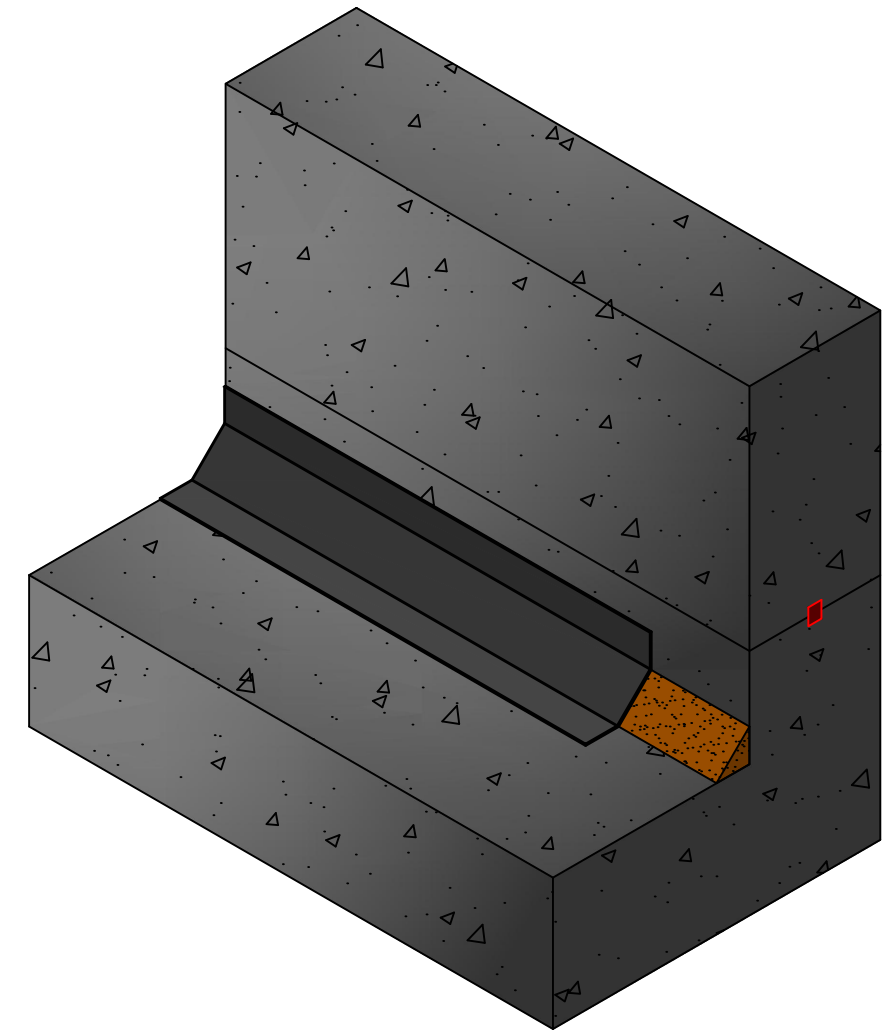


1 Section Elevation Detail
Scale: 1:5



2 Isometric Detail
Scale: nts



Part of the DB Group

Revision History

DATE	DESCRIPTION	REV.	DES.	Q.C.
14/08/19	First issue.	-	HR	LL

DB Group (Holdings) Ltd Wellington Way, Bourn Airfield Cambridge, CB23 2TQ Tel: +44 (0)1954 780687 Email: sales@pudlo.com www.dbgholdings.com/pudlo		
DRAWING TITLE	PROJECT	
REINFORCING STRIP DETAIL	-	
STATUS	SCALE	
FOR INFO	as shown on A3	
DRAWING NUMBER	REVISION	SHEET No.
PUDLO-TJD-GBSF-003	-	1 of 1
CLIENT		

Note:-
This PUDLO detail is to assist with the installation of its products. The detail shows how PUDLO CWP Modified Concrete and how PUDLO ancillaries are to be installed. For site specific details and confirmation on extent of where PUDLO CWP Modified Concrete is used i.e. Overlay drawings, must be confirmed by structural engineers/contractor. Individual/Company responsibility for design of the structure must ensure that details shown on PUDLO drawings match the latest construction issue drawings.
The information shown on this detail is given without obligation, or warranty PRIOR to consultation or communication with PUDLO/DB Group Ltd.