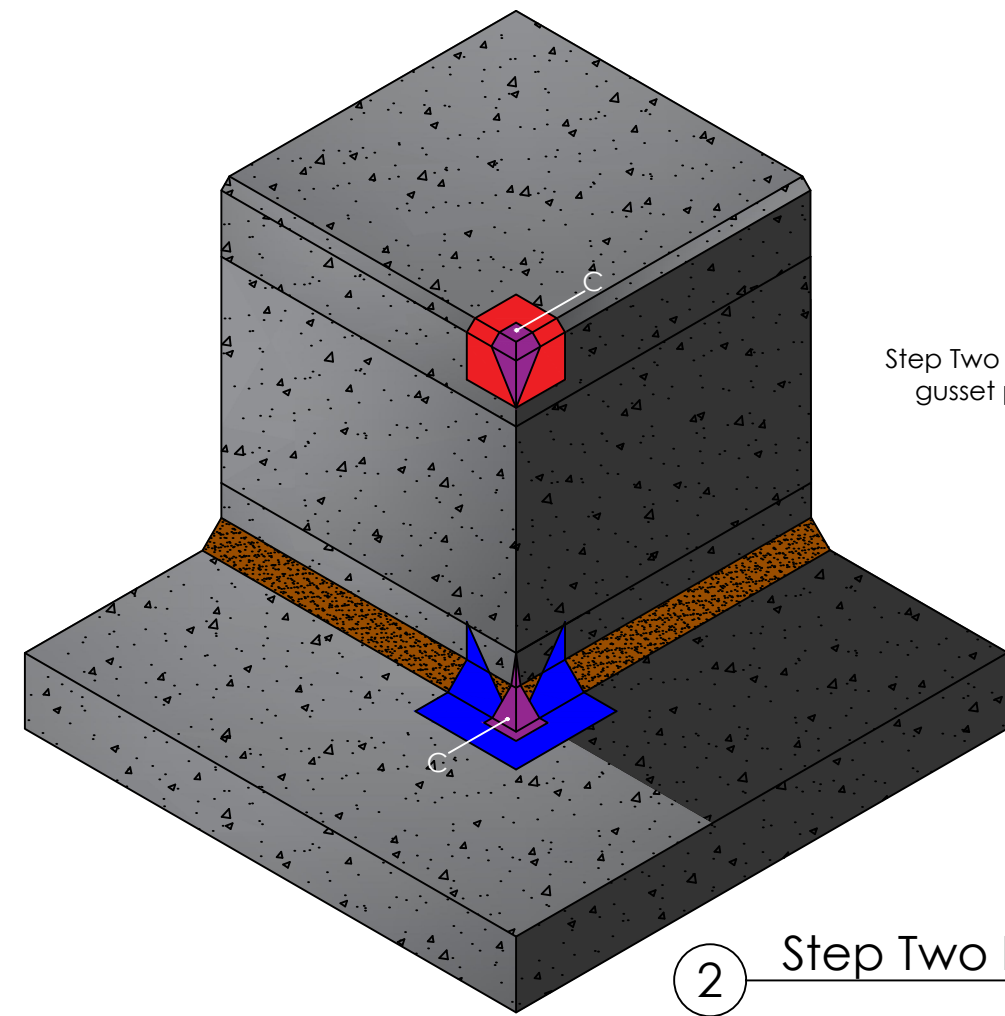


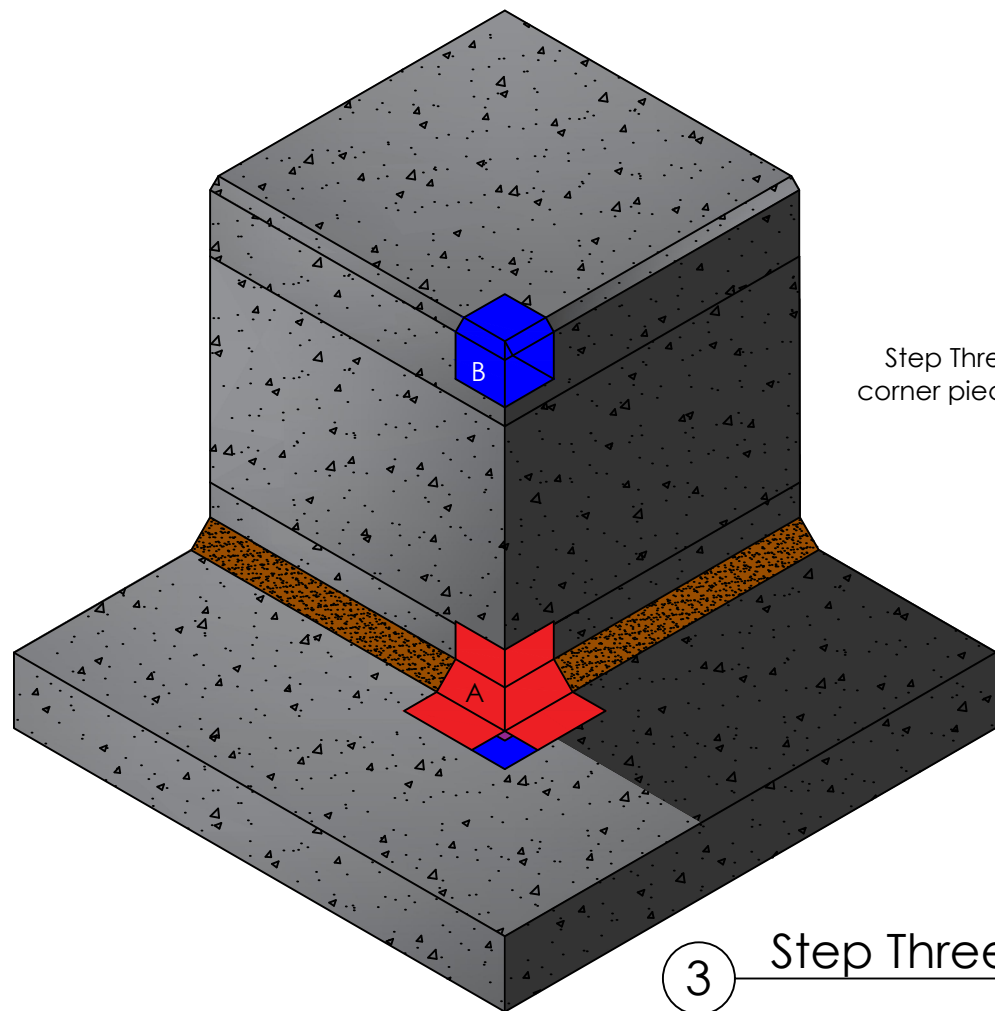
Step One - Cut and fix corner pieces 'A' and 'B'.

① Step One ISO Detail  
Scale: nts



Step Two - Cut and fix gusset pieces 'C'.

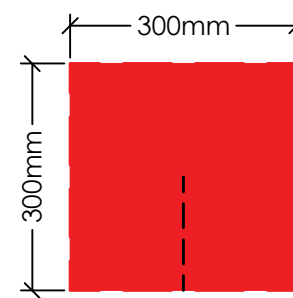
② Step Two ISO Detail  
Scale: nts



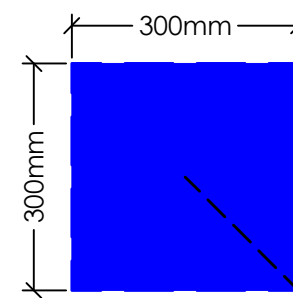
Step Three - Over-fix corner pieces 'B' and 'A'.

③ Step Three ISO Detail  
Scale: nts

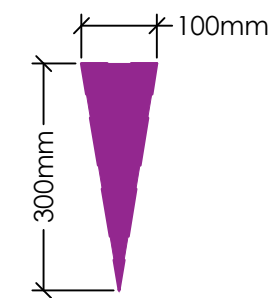
N.A. - When VOC gases are present **ALL** jointing is to be **HEAT WELDED** by a GNVQ Lvl 2 qualified specialist.



A - edge cut.




B - corner cut.



C - gusset.

④ Corner Piece Detail  
Scale: 1:10



Part of the DB Group

Revision History				
DATE	DESCRIPTION	REV.	DES.	Q.C.
23/08/19	First issue.	-	LD	LL

**DB Group (Holdings) Ltd**  
Wellington Way, Bourn Airfield  
Cambridge, CB23 2TQ  
Tel: +44 (0)1954 780687 Email: sales@pudlo.com  
www.dbgholdings.com/pudlo

DRAWING TITLE <b>ISO EXTERNAL CORNER DETAIL</b>	PROJECT -
STATUS <b>FOR INFO</b>	SCALE as shown on A3
DRAWING NUMBER <b>PUDLO-TJD-GPUS-009</b>	REVISION - SHEET No. 1 of 1
CLIENT	

Note:-

This PUDLO detail is to assist with the installation of it's products and ancillaries. The details shows how PUDLO gas protection membranes and it's ancillaries are to be installed. For site specific details and confirmation on the extent of where the membranes are to be installed must be confirmed by the structural engineers / contractor. Individual / company responsibility for design of the structure must ensure that details shown on PUDLO drawings match the latest construction issue drawings.

All products specified and the design should comply with the latest industry guidelines where applicable - BS8484:2015 'Code of practice for the design of protective measures for methane and carbon dioxide ground gases for new buildings. CIRIA C748 'Guidance on the use of plastic membranes as VOC vapour barriers. Gas protection membranes should also be independently verified by 3<sup>rd</sup> party in accordance with CIRIA C735 'Testing and verification of gas protection systems'. Information of gas validators are available upon request.

The information shown on this detail is given without obligation, or warranty **PRIOR** to consultation or communication with PUDLO/DB Group Ltd.