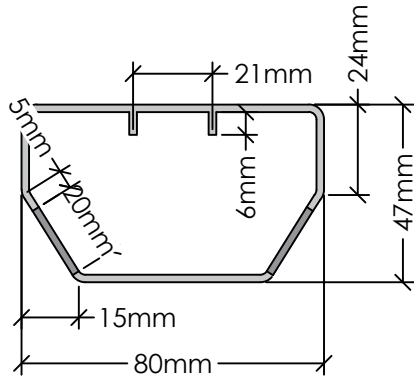
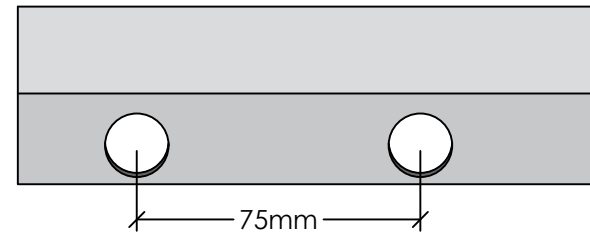


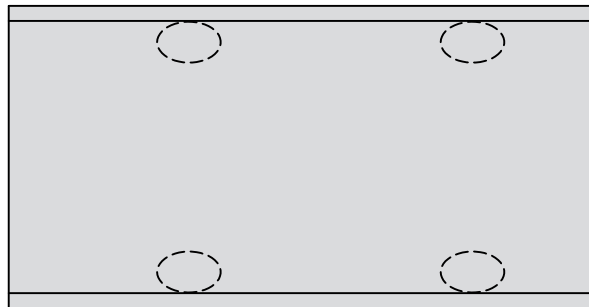
Rear Section



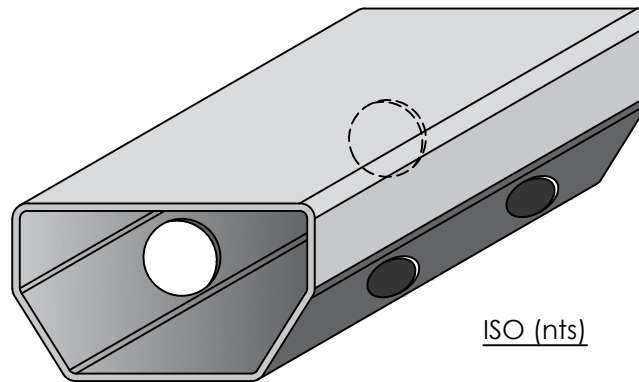
Left-Hand Section



Front Section



Plan Section



ISO (nts)



Part of the DB Group

Revision History

DATE	DESCRIPTION	REV.	DES.	Q.C.
16/04/19	Updated to January 2019 design standards.	B	HR	LL
27/09/18	Updated to September 2018 design standards.	A	LD	LL
11/05/18	First issue.	-	LD	LL

**DB Group (Holdings) Ltd**  
 Wellington Way, Bourn Airfield  
 Cambridge, CB23 2TQ  
 Tel: +44 (0)1954 780687 Email: sales@pudlo.com  
 www.dbgholdings.com/pudlo

DRAWING TITLE	PROJECT		
FLOOR CHANNEL DETAIL	(project name)		
STATUS	SCALE		
FOR INFO	1:2 on A4		
DRAWING NUMBER	REVISION	SHEET No.	
PUDLO-TJD-CDS-004b	B	1 of 1	
CLIENT	(client)		

COPYRIGHT: Not to be reproduced without written permission

A4

PUDLO/DB Group  
 STD Oct 2018 v1

Note:-

This PUDLO detail is to assist with the installation of its products. The detail shows how PUDLO CWP Modified Concrete and how PUDLO ancillaries are to be installed. For site specific details and confirmation on extent of where PUDLO CWP Modified Concrete is used i.e. Overlay drawings, must be confirmed by structural engineers/contractor. Individual/Company responsibility for design of the structure must ensure that details shown on PUDLO drawings match the latest construction issue drawings.

The information shown on this detail is given without obligation, or warranty PRIOR to consultation or communication with PUDLO/BD Group Ltd.