



Part of the DB Group

PRODUCT DATA SHEET

PUDLO Plug P

DESCRIPTION

PUDLO Plug P are plugs designed to be used in conjunction with the **PUDLO CD08 M (Mesh)** Cavity Drain System.

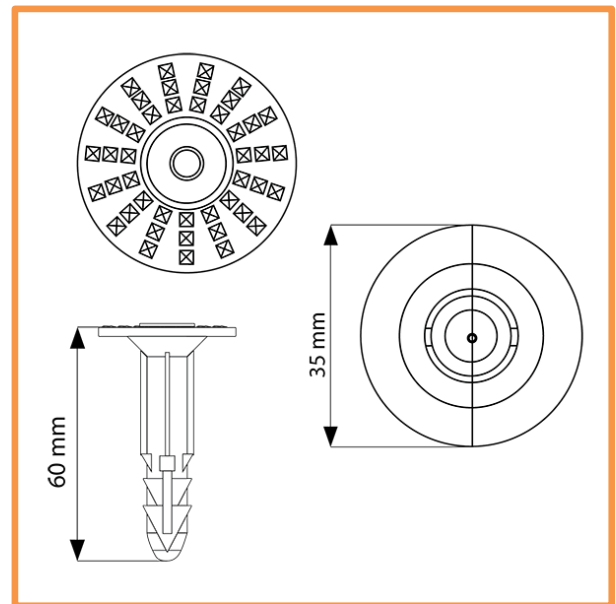
USES

PUDLO Plug P can be used in the following applications for both damp and waterproofing applications:

- **CD08M** membrane
- On brick
- On stone
- On concrete
- Great system for dot and dab plaster board Application (50mm head provides optimum surface area for plaster).

BENEFITS

- Works in conjunction with **PUDLO CD08M (Mesh)** membrane systems
- Quick and easy to install
- 60mm length which is suitable for both single skin and cavity walls
- Reinforced head to prevent damage when fixing



TECHNICAL

Performance	PUDLO Plug P	
Concrete	0.43 kN	-
Solid Brick	0.4 kN	-
Lightweight Block	0.28 kN	-
Shear Loading	0.025 kN	-
Application Temperature °C	-30 to +90	-
Material	Plug High Density Polypropylene	-

PACKAGING

PUDLO Plug P is supplied as 200 plugs per box.

ANCILLARY PRODUCTS

- **PUDLO Cavity Drain System (including ancillaries).**



Part of the DBGroup

PRODUCT DATA SHEET

HEALTH & SAFETY

Please refer to **PUDLO Plug P** MSDS for more information.

For further information on accessories that are used with **PUDLO Plug P**, please contact PUDLO Head Office on 01954 780687 or email sales@pudlo.com.